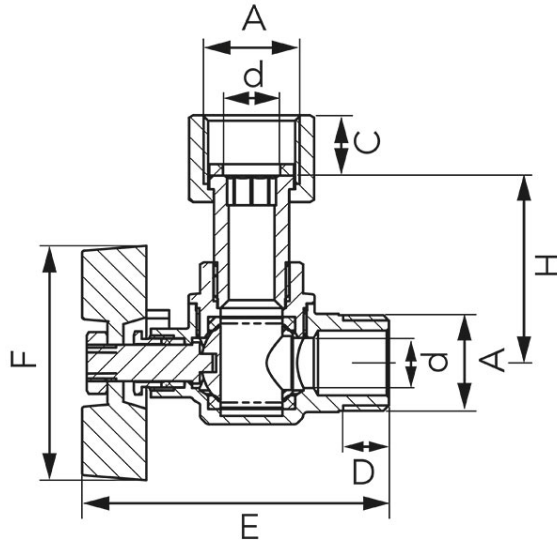


Code: **KFMxSGK**

Angle all valve with utterfly and half-union, female-male

<https://www.ferrocompany.com/product-6518-KFMxSGK.html>

Individual packaging: **1, package with bar code allowing for retail sale**



- NICKEL FREE - inner surfaces are not nickel-plated
- CW617N-4MS brass - reduced lead and nickel content
- application: water, glycol 50%
- female-male with half-union
- with gland
- handle: metal butterfly type
- body and ball material: brass
- material of ball and stem seals: PTFE
- material of flat seals: EPDM
- nominal pressure: 10 bar
- maximum working temperature: 100°C

Code	DN	Connection dimension	A	d	C	D	E	F	H	Kvs [m³/h]	Valve handle color
KFM1SGK	DN15	1/2"	G1/2	10	10	10	67	51.3	41	0.97	red
KFM2SGK	DN20	3/4"	G3/4	12.8	10	10	72.8	51.3	41	1.69	red